

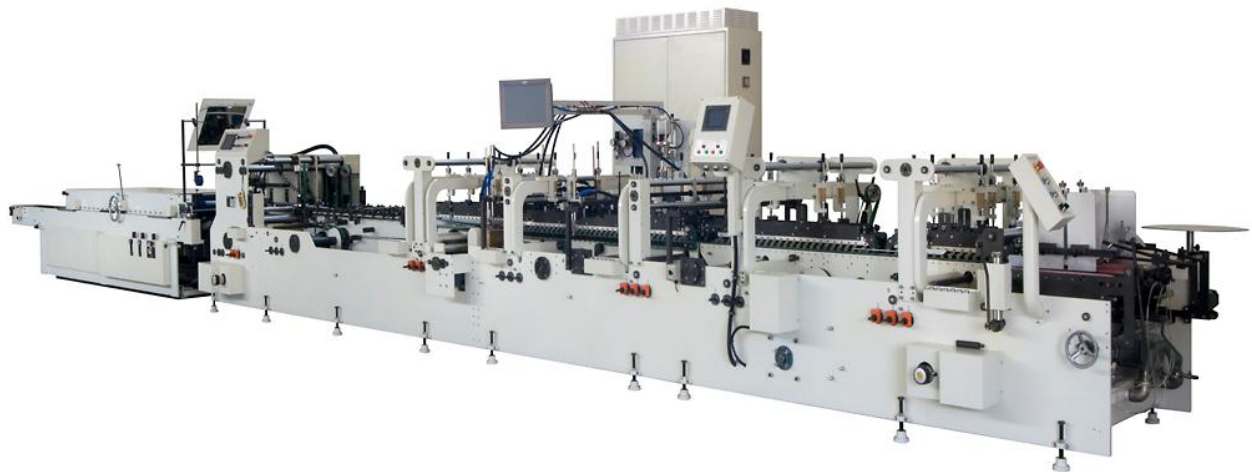


**SCAPER EUROPE GMBH**

## **Automatic folder gluer model Brausse TA900**

### **Highlights of all Brausse machines**

- All electrical components are from Omron and Siemens
- All PLC controls are from Mitsubishi
- All operating software in the local language



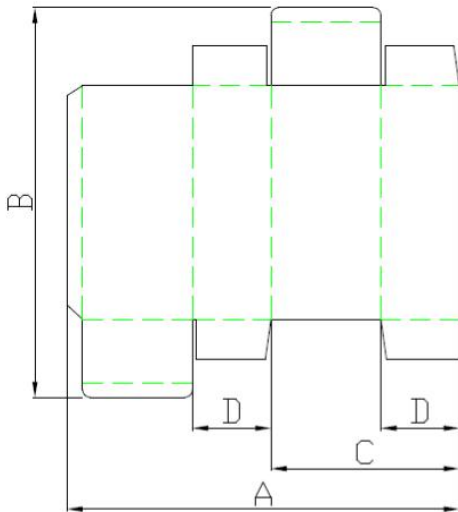
**Pictures might be slightly different from reality**



**SCAPER EUROPE GMBH**

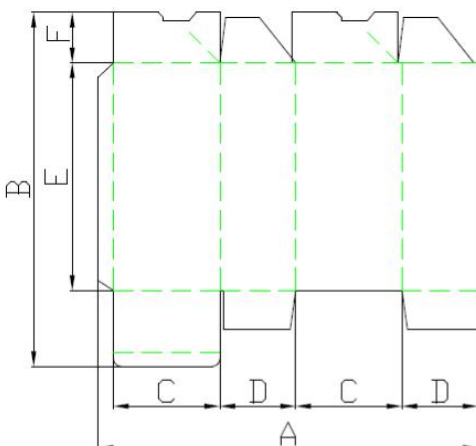
### Specifications

Material:	carton up to 800 g/m & up to E-Flute
Trombone section max. belt speed	425 m/min
Max. belt speed:	325 m/min
Overall length:	12740 mm
Overall height:	2000 mm
Overall width:	1550 mm
Total net weight	7,8 t
Power voltage	400 V / 50 Hz
Power supply for main motor	22 kW
Power supply for additional motors	2,2 kW
Total power supply	30 kVA
Air supply / consumption	6 bar / 700 l per min
The compressed air quality must be according to ISO 8573/1 with:	
-Filtration on solid parts	Class 4
-Filtration on oil	Class 4
-Dry air	Class 4



### Straight-line

A	120- 900 mm 80- 900 mm with small box device
B	55- 900 mm
C	55 - 440 mm
D	minimum 8 mm



### Lock bottom

A	160- 875 mm
B	150- 900 mm
C	minimum 47 mm
D	minimum 30 mm
E	minimum 65 mm
F	minimum 28 mm



**SCAPER EUROPE GMBH**

### **Feeder section**

- Adjustable separate tension on each belt
- Eight individually adjustable feed belts with quick adjustment system
- Feeder start/stop can be controlled at all operator stations
- Two standard feed gates (30 mm wide) and one supporting feed gates (30 mm wide) for long, small boxes
- One lever-feeding gauge lifting mechanism to make easy feed belt adjustments
- Feeder belts adjustment can be done by one hand movement
- Short and long carriers for transport in the pre-breaker
- Four adjustable side plates
- Vibration system in feeder

### **Pre-breaking system**

- Belt pre-brake system on the right side
- Guide pre-brake system on the left side
- Belt pre-brake system on the left side (standard on 4 and 6 corner option)
- Guide pre-brake system on the right side (standard on 4 and 6 corner option)
- Three carriers with split upper carriers in pre-breaking section. This allows special compound folds such as interior, Z folds (pre-breaking sword can be put at the left side only)
- Manual carrier-positioning system throughout the machine (for both carrier and upper belts)
- Top carriers have reinforced tops throughout for mounting accessories, which are single pin wrench adjustments
- Belt pre-break device on right side only
- Two upper and lower belt carriers

### **Gluing system**

- Upper gluing wheel for lock bottom (5,2mm)
- Lower gluing wheel system (3,2 mm)
- Left and right lower gluing system

### **Folding section**

- Three belt carriers
- Speed adjustment for left and right fold belt
- Entrance of the upper belt carrier adjustable in height
- Top belt can be lifted

### **Heavy duty double frame trombone section**

- Batch counter and kicker
- Jam detector



**SCAPER EUROPE GMBH**

### **Compression section**

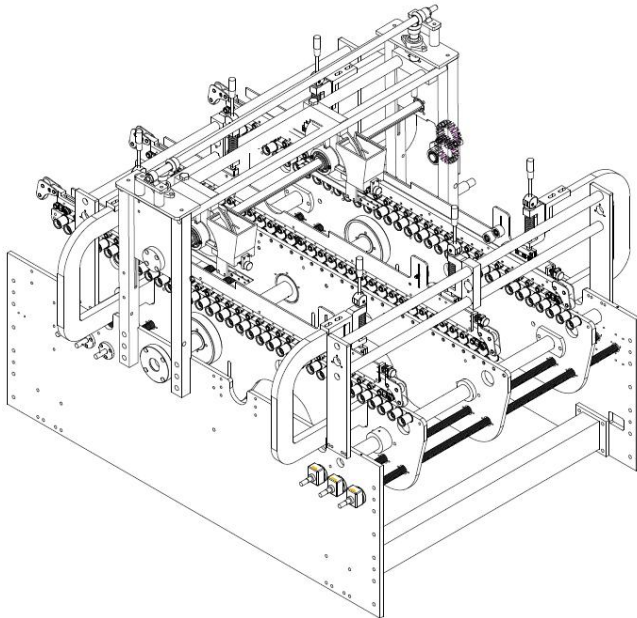
- Two operation modes for compressing the folded boxes:
  - Auto - belt speed depending on machine speed: box flow without spacing
  - Manual - belt runs at a constant speed
- Additional press belt for extra compression for crash lock boxes

### **General**

- One pin wrench adjustment operation throughout the machine, operator friendly
- All the adjustment can be made without any tools
- Position indicator throughout the machine.
- Upper belt width 20 mm, lower belt width 25 mm on the pre-break & gluing section
- Upper belt width 16 mm, lower belt width 20 mm on the folding section
- Electronic batch counter and kicker
- Electronical remote control

### **Options:**

#### **Lock bottom section**

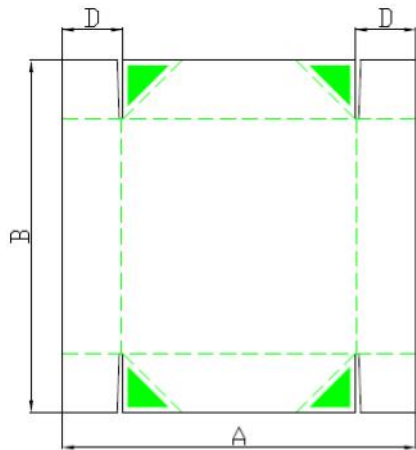




**SCAPER EUROPE GMBH**

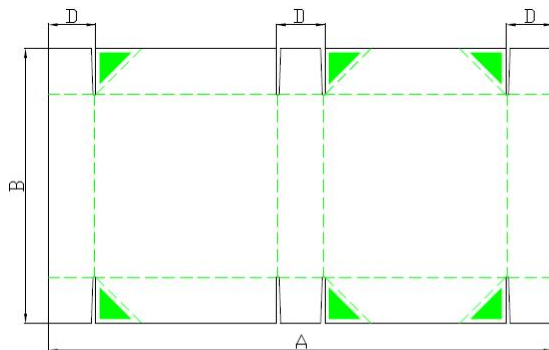
**4 or 6 corner section**

**High pressure cold glue system configuration is needed for this option**



#### **4-Corner Collapsible Boxes**

A	175-700 mm
B	160-900 mm
D	30-150 mm



#### **6-Corner Collapsible Boxes**

A	300-850 mm
B	160- 900 mm
D	30-150 mm

#### **Servo motor operated back folding**

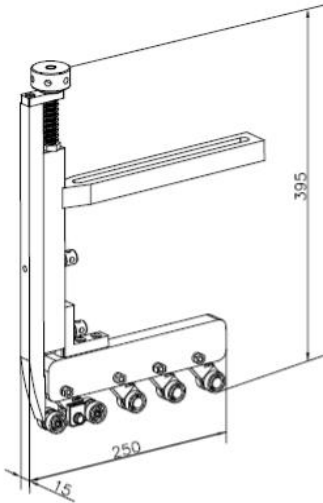
- Servo motor operated back folding system:
  - Two hook operation mode: #1 for short flap and #2 for long flap
  - Vacuum suction bar to hold the box blank firm when folding
  - Two shafts each individually controlled
  - Photo blank detecting sensor can be fixed on its position
  - Data entry key pad with digital display
- Easy one-hand carrier position adjustment
- Belt speed detecting encoder on the belt drive shaft



**SCAPER EUROPE GMBH**

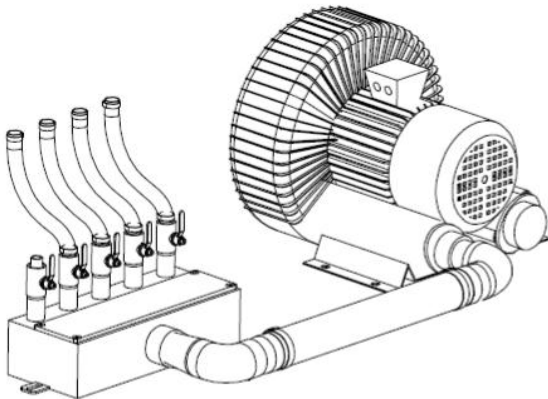
### **Mini box feeding gate**

2 sets of feed gate (30mm) & 1 set of supporting feed gate are standard on the machine. Mini box feeding gates (15mm) will make small-box feeding easier.



### **Feeder belts with suction feeding system**

It is used to improve the feeding capacity of products and selectively used depending on the type of products, especially for corrugated board and clear box



### **Anti static device**

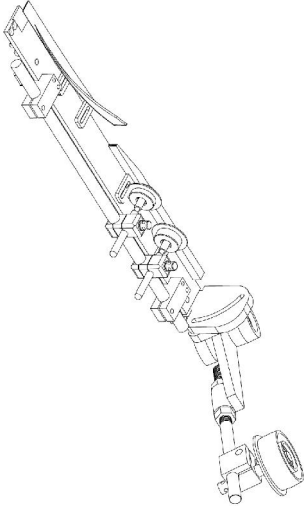
Protect from static-electricity, especially for clear/ transparent plastic box



**SCAPER EUROPE GMBH**

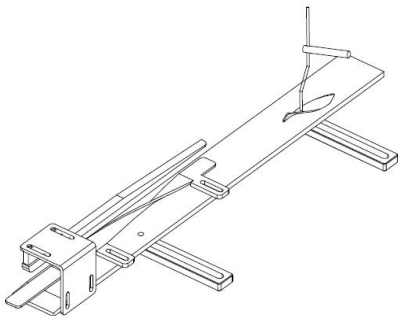
**Pre brake system left – belt type**

Used for pre-break. Optional on straight line model while standard on 4/6 corner model. Belt pre-break system (right side) and guide pre-break system (left side) are standard on all models.



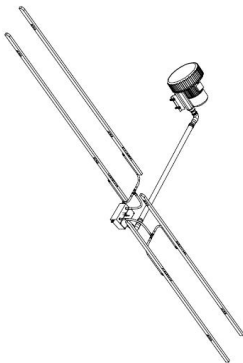
**Pre brake system right – guide type**

Working function is similar to Side alignment section but a simplified device, easy to install. Especially for corrugated board.



**Vacuum holding system for back folding**

Vacuum suction bar holds box blank firm when folding

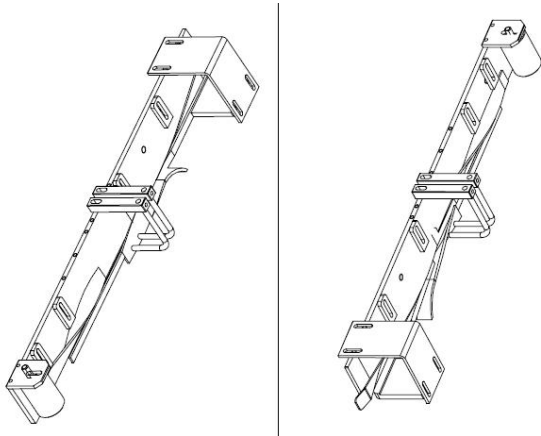




**SCAPER EUROPE GMBH**

**Z-Folding device (2 – time or 3 – time folding device)**

Applied for double or triple side flap folding ( special box )



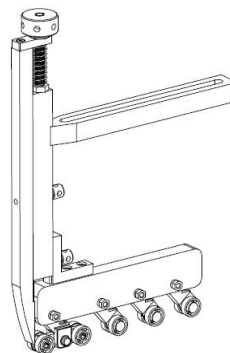
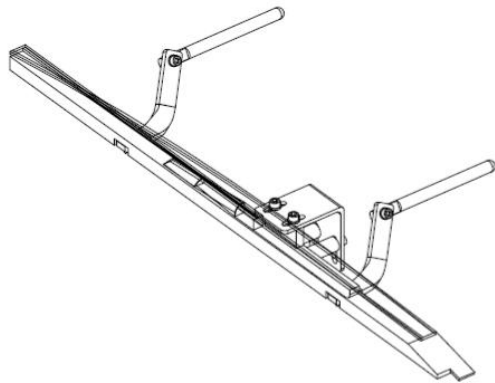
**Bump and Turn**

Three separated structure upper carriers manage to turn the blanks 90 degrees for further folding and gluing, which enlarges the applicability for different boxes.

**Pneumatic lift carrier**

**Small boxes folding device**

For small sized cardboard straight line box which size is smaller than the standard machine capacity





**SCAPER EUROPE GMBH**

**Pocket folder device (big size)**

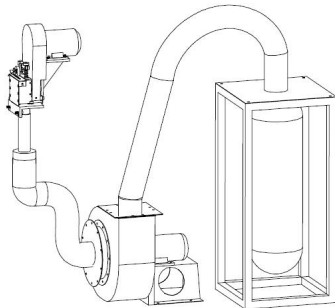
**Pocket folder device (small size)**

**Extended press section & other devices for plastic boxes**



**Grinder including suction device**

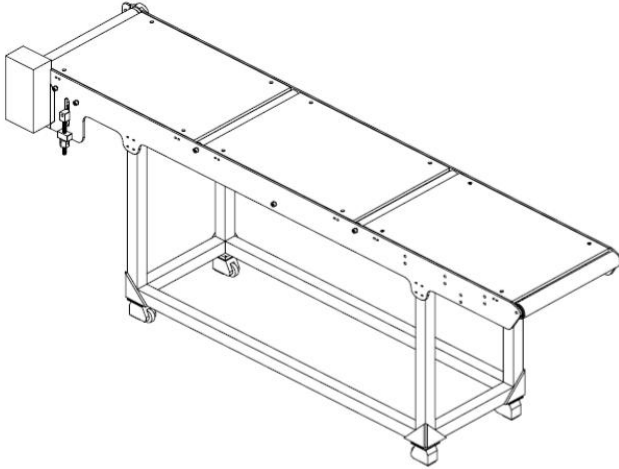
Grind the glue flap surface of UV coating box for adhesive.





**SCAPER EUROPE GMBH**

**Extended conveyor end (where the operator takes of the boxes)**



**Extra sponge belt on the conveyor**

For extra compression of lower area & firm press of 4 corner box on conveyor section

**Magazine corrector**

Make the straight line box (special for flute direction: vertical) perfect squaring, only for corrugated

**Water batch counting system**

Count the box number by spray marking

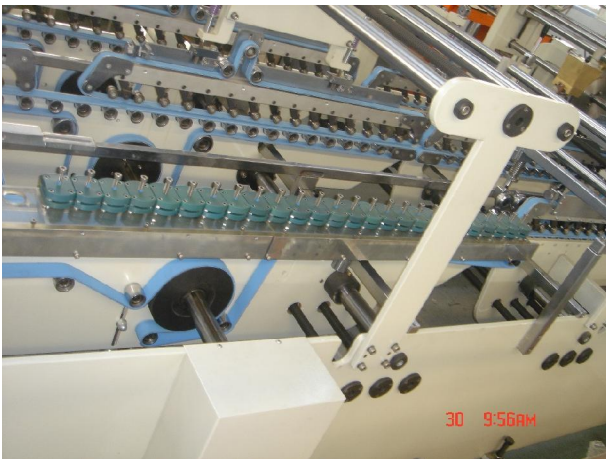
**Extended conveyor 500 or 1200 mm**

**Second pre folding section**

For additional pre-folding

**Side alignment system**

Additional section between Feeder & Pre-breaking sections for correcting the box position after feeding

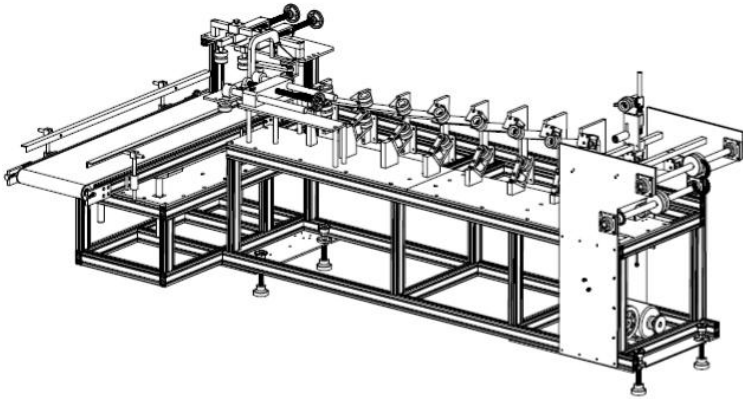




**SCAPER EUROPE GMBH**

**Motorized carrier adjustment**

**Packer**



Following sizes can be used on the packer

Width min 60mm, max 450mm

Length min 10mm, max 450mm

Thickness Cardboard - E flute corrugated



**SCAPER EUROPE GMBH**

### High pressure cold glue system configuration

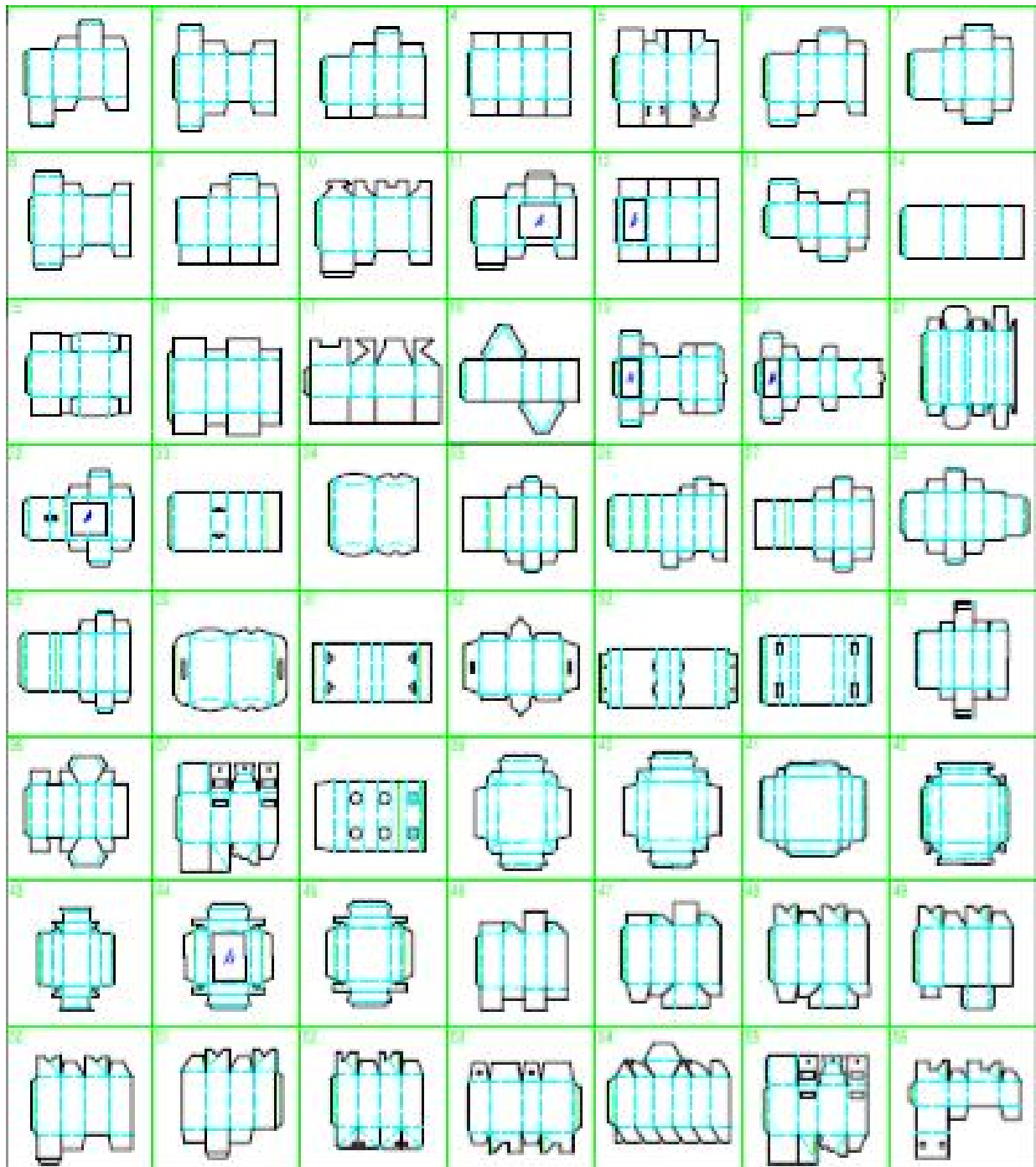
- Controller - type LA 404 (4 guns system)
- Controller - type Logicomm touch screen (6 & 8 guns system)
- Electric cold glue guns type LA 820 RC, with nozzle diameter 0,35 mm
- Double acting st.st. piston pump 1: 7 bar. Type LA300 with automatic glue regulator type LA382
- Kit: mounting brackets, connection cables and high pressure glue hoses
- Two photocell sensors LA650
- Mobile trolley for mounting the system components, including controller bracket
- St.st. manifold with ball valves (4 and 8 outputs)
- Glue viscosity up to 2000 mPas



**Total system with LA 404 controller and 4 electric glue guns**  
**Total system with Logicomm controller and 6 electric glue guns**  
**Total system with Logicomm controller and 8 electric glue guns**

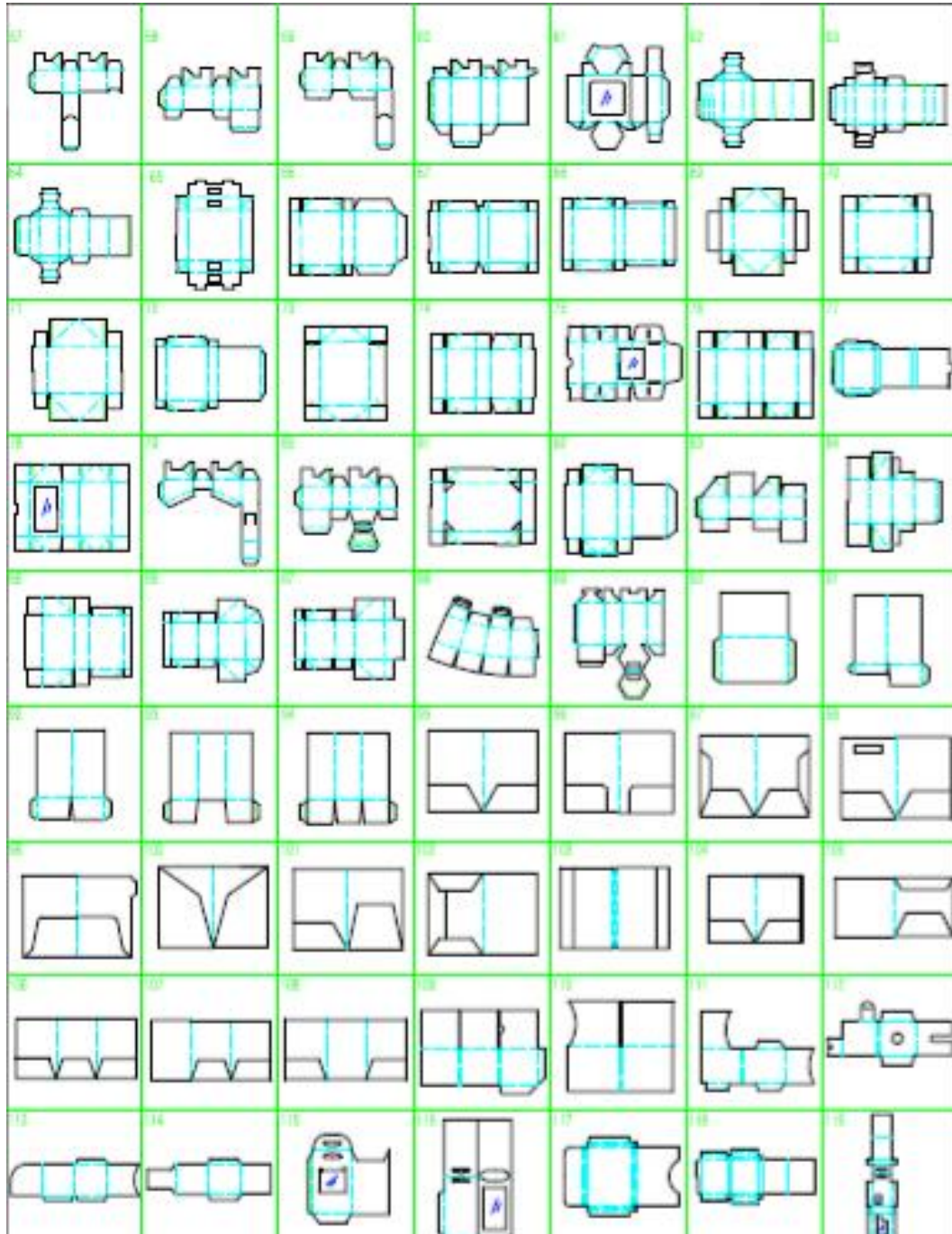


**SCAPER EUROPE GMBH**





**SCAPER EUROPE GMBH**





**SCAPER EUROPE GMBH**

Applicable blank forms

S=Standard O=Option

X=Impossible

No.	TA/TB	TA/TB	Option remark	No.	TA/TB	TA/TB	Option remark
	C4/6	C3			C4/6	C3	
1	s	s		61	o	o	Electronic gluing system
2	s	s		62	o	o	Electronic gluing system
3	s	s		63	o	o	Electronic gluing system
4	s	s		64	o	o	Electronic gluing system
5	s	s		65	o	o	Electronic gluing system
6	s	s		66	s	x	
7	s	s		67	o	x	Electronic gluing system
8	s	s		68	o	x	Electronic gluing system
9	s	s		69	s	x	
10	s	s		70	s	x	
11	s	s		71	s	x	
12	s	s		72	s	x	
13	s	s		73	s	x	
14	s	s		74	s	x	
15	s	s		75	s	x	
16	s	s		76	o	x	Electronic gluing system
17	s	s		77	s	s	
18	s	s		78	o	o	Electronic gluing system
19	s	s		79	s	s	
20	s	s		80	s	s	
21	o	o	Another prebreak section	81	s	x	
22	s	s		82	s	x	
23	s	s		83	s	s	
24	s	s		84	s	x	
25	s	s		85	s	x	
26	s	s		86	o	x	Electronic gluing system
27	s	s		87	o	x	Electronic gluing system
28	s	s		88	s	s	
29	s	s		89	s	s	
30	s	s		90	o	o	Electronic gluing system, pocket folder device



**SCAPER EUROPE GMBH**

No.	TA/TB	TA/TB	Option remark	No.	TA/TB	TA/TB	Option remark
	C4/6	C3			C4/6	C3	
31	s	s		91	o	o	Electronic gluing system, pocket folder device
32	s	s		92	o	o	Electronic gluing system, pocket folder device
33	s	s		93	o	o	Electronic gluing system, pocket folder device
34	s	s		94	o	o	Electronic gluing system, pocket folder device
35	s	s		95	o	o	Electronic gluing system, pocket folder device
36	s	s		96	o	o	Electronic gluing system, pocket folder device
37	s	s		97	o	o	Electronic gluing system, pocket folder device
38	s	s		98	o	o	Electronic gluing system, pocket folder device
39	o	o	Electronic gluing system	99	o	o	Electronic gluing system, pocket folder device
40	o	o	Electronic gluing system	100	o	o	Electronic gluing system, pocket folder device
41	s	s		101	o	o	Electronic gluing system, pocket folder device
42	s	s		102	o	o	Electronic gluing system, pocket folder device
43	s	s		103	o	o	Electronic gluing system, pocket folder device
44	s	x		104	o	o	Electronic gluing system
45	o	o	Electronic gluing system	105	o	o	Electronic gluing system, pocket folder device
46	s	s		106	o	o	Electronic gluing system, pocket folder device
47	s	s		107	o	o	Electronic gluing system, pocket folder device
48	s	s		108	o	o	Electronic gluing system, pocket folder device
49	s	s		109	o	o	Electronic gluing system, pocket folder device
50	s	s		110	o	o	Electronic gluing system, pocket folder device
51	s	s		111	o	x	Electronic gluing system
52	s	s		112	o	x	Electronic gluing system
53	s	s		113	o	x	Electronic gluing system
54	s	s		114	o	x	Electronic gluing system
55	s	s		115	s	s	
56	s	s		116	s	x	
57	s	s		117	o	o	Electronic gluing system, pocket folder device
58	s	s		118	s	s	
59	s	s		119	s	x	Electronic gluing system, pocket folder device
60	s	s					

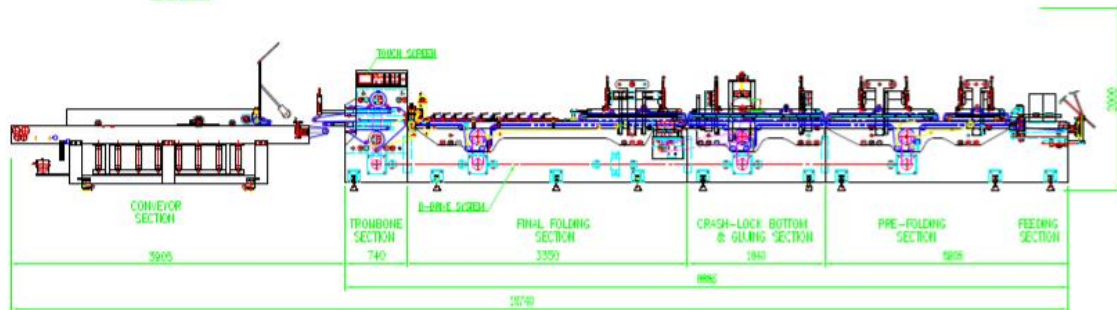
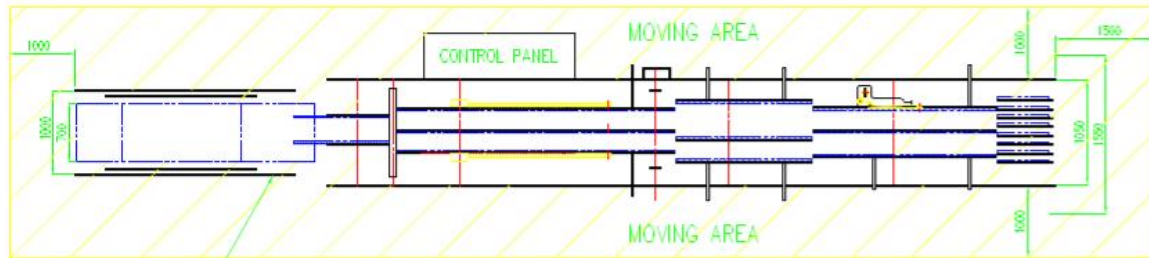


**SCAPER EUROPE GMBH**

(OPERATOR'S WORKING AREA)

TA 900-C3

FOLDING & GLUER MACHINE



\*\*\* For complete folder-gluer specifications refer to the product brochure.

† SPECIFICATION †

MAIN MOTOR	22KW	TRONBONE SECTION MAX. BELT SPEED	425 m/min
CONVEYOR MOTOR	2.2KW	MAX. PUMPING CAPACITY	0.7m <sup>3</sup> /min
TOTAL POWER	30KVA	TOTAL WEIGHT	7800 kg



**TAE YONG  
ETERNA**

DRAWN	DESIGNED	APPROVED	DWG. DATE	UNIT	SCALE	DWG. NO.
J. S. J. 2010	J. S. J. 2010	P. F. 2010	05.04.10	mm	1:1	TA-900-C3
TITLE : TA-900-C3						AS (4010287)

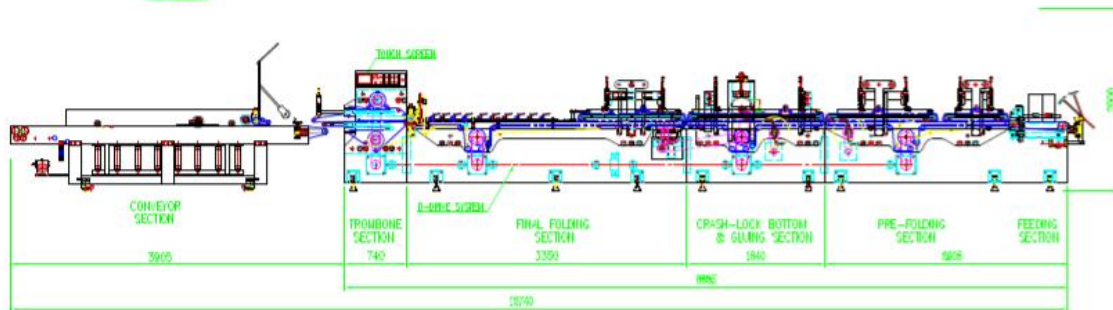
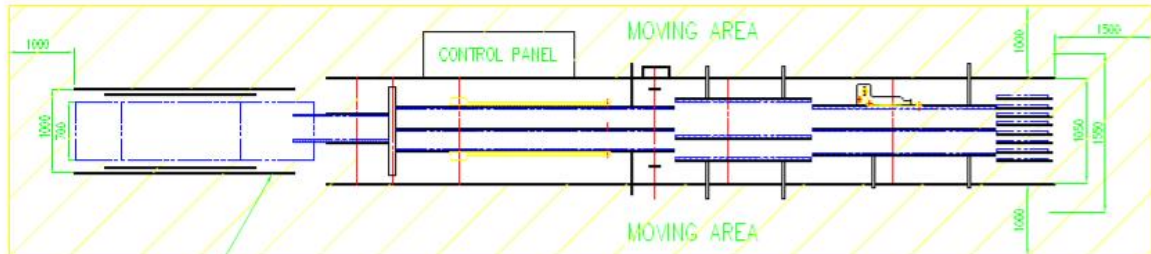


**SCAPER EUROPE GMBH**

(OPERATOR'S WORKING AREA)

TA 900-C6

FOLDING & GLUER MACHINE



\*\*\* For complete folder-gluer specifications refer to the product brochure.

\* SPECIFICATION \*

MAIN MOTOR	22KW	TRONBONE SECTION MAX BELT SPEED	425 m/min
CONVEYOR MOTOR	2.2KW	MAX PUMPING CAPACITY	0.7m <sup>3</sup> /min
TOTAL POWER	40KVA	TOTAL WEIGHT	8300 kg



**TAE YONG  
ETERNA**

DRAWN	DESIGNED	APPROVED	DWG DATE	UNIT	SCALE	DWG NO.
J.S. SUTRI	J.S. SUTRI	P. C. 200	08.04.10	mm	1:1	TA-900-C6
TITLE : TA-900-C6						AD (OPTIONAL)

**IMPORTANT:**

- 2 year warranty
- 5 days training for operating personnel included
- Installation included